

Complete Range of
Light Grooving Inserts & Toolholders



PalbitUSA.com



LIGHT
GROOVING

NEW

SINCE 1916

LIGHT GROOVING

INSERTS

LG	06	02	R	110
1	2	3	4	5

1 - Product Line

LG - Light Grooving

2 - Insert Size

06 - IC=6.35mm

3 - Cutting Edges

02 - 2 Cutting Edges

4 - WorkSide

R - Right
L - Left

5 - Edge Width

110=1.1mm

TOOLHOLDERS

LG	H	06	02	I	R	150	16
1	2	3	4	5	6	7	8

1 - Product Line

LG - Light Grooving

2 - ProductType

H - Holder

3 - Insert Size

06 - IC=6.35mm

4 - Cutting Edges

02 - 2 Cutting Edges

5 - Internal / External

I - Internal
E - External

6 - Work Side

R - Right
L - Left

7 - Tool Length

150 - 150mm

8 - Shank Dimensions

Internal: 16 - Ø16mm
External: 2020 - 20mm x 20mm

LIGHT GROOVING TOOLHOLDERS

LGH-ER/L

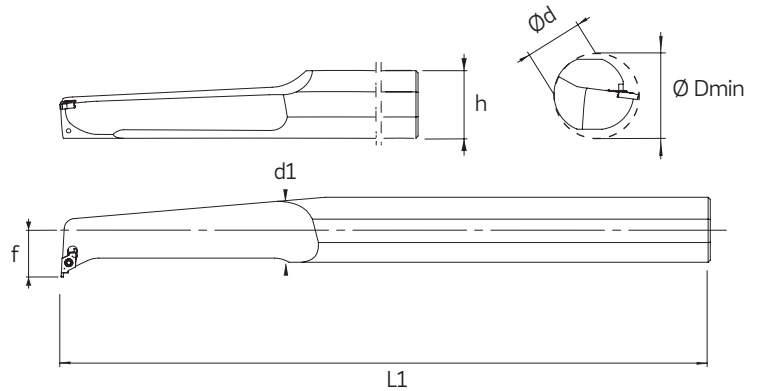


Order Code	Reference	Dimension (mm)					Insert	Stock
		h	b1	L1	L2	f		
Right Toolholder								
183031100	LGH 0602-ER 100 1616	16	16	100	21	20	LG 0602R	⊗
183031200	LGH 0602-ER 125 2020	20	20	125	25	25	LG 0602R	⊗
183031300	LGH 0602-ER 150 2525	25	25	150	32	32	LG 0602R	⊗
Left Toolholder								
183030300	LGH 0602-EL 100 1616	16	16	100	21	20	LG 0602L	⊗
183030400	LGH 0602-EL 125 2020	20	20	125	25	25	LG 0602L	⊗
183030500	LGH 0602-EL 150 2525	25	25	150	32	32	LG 0602L	⊗

⊗ Stock item

○ Available Upon Request

LGH-IR/L



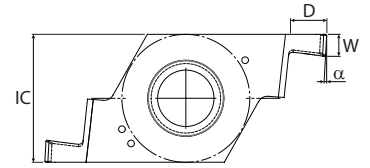
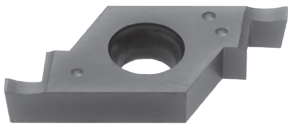
Order Code	Reference	Dimensions (mm)					Insert	ØDmin	Stock
		Ød	h	d1	L1	f			
Right Toolholder									
183031400	LGH 0602-IR 150 12	12	11	11.5	150	9	LG 0602R	16	⊗
183031500	LGH 0602-IR 150 16	16	15	15	150	11	LG 0602R	20	⊗
183031600	LGH 0602-IR 170 20	20	18	19	170	13	LG 0602R	25	⊗
183031700	LGH 0602-IR 200 25	25	23	24	200	17	LG 0602R	32	⊗
183031800	LGH 0602-IR 300 32	32	30	31	300	22	LG 0602R	40	⊗
Left Toolholder									
183030600	LGH 0602-IL 150 12	12	11	11.5	150	9	LG 0602L	16	⊗
183030700	LGH 0602-IL 150 16	16	15	15	150	11	LG 0602L	20	⊗
183030800	LGH 0602-IL 170 20	20	18	19	170	13	LG 0602L	25	⊗
183030900	LGH 0602-IL 200 25	25	23	24	200	17	LG 0602L	32	⊗
183031000	LGH 0602-IL 300 32	32	30	31	300	22	LG 0602L	40	⊗

⊗ Stock item

○ Available Upon Request

LIGHT GROOVING INSERTS

LGH-R

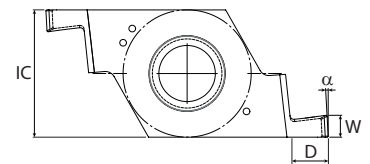
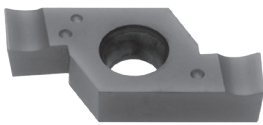


Order Code	Reference	Dimensions (mm)				Circlip Width	Stock
		IC	α	W	D		PH7920
1130597G4	LG 0602R110	6.35	3	1.10	0.8	1.0	<input checked="" type="checkbox"/>
1130598G4	LG 0602R130	6.35	3	1.30	1.4	1.2	<input checked="" type="checkbox"/>
1130599G4	LG 0602R160	6.35	3	1.60	1.7	1.5	<input checked="" type="checkbox"/>
1130600G4	LG 0602R185	6.35	3	1.85	2.0	1.75	<input checked="" type="checkbox"/>
1130601G4	LG 0602R215	6.35	3	2.15	2.4	2.0	<input checked="" type="checkbox"/>
1130602G4	LG 0602R265	6.35	3	2.65	2.7	2.5	<input checked="" type="checkbox"/>
1130603G4	LG 0602R300	6.35	3	3.00	3.0	-	<input checked="" type="checkbox"/>
1130604G4	LG 0602R315	6.35	3	3.15	3.0	3.0	<input checked="" type="checkbox"/>

Stock item

Available Upon Request

LG-L



Order Code	Reference	Dimensions (mm)				Circlip Width	Stock
		IC	α	W	D		PH7920
1130589G4	LG 0602L110	6.35	3	1.10	0.8	1.0	<input checked="" type="checkbox"/>
1130590G4	LG 0602L130	6.35	3	1.30	1.4	1.2	<input checked="" type="checkbox"/>
1130591G4	LG 0602L160	6.35	3	1.60	1.7	1.5	<input checked="" type="checkbox"/>
1130592G4	LG 0602L185	6.35	3	1.85	2	1.75	<input checked="" type="checkbox"/>
1130593G4	LG 0602L215	6.35	3	2.15	2.4	2.0	<input checked="" type="checkbox"/>
1130594G4	LG 0602L265	6.35	3	2.65	2.7	2.5	<input checked="" type="checkbox"/>
1130595G4	LG 0602L300	6.35	3	3.00	3	-	<input checked="" type="checkbox"/>
1130596G4	LG 0602L315	6.35	3	3.15	3	3.0	<input checked="" type="checkbox"/>

Stock item

Available Upon Request



U.S. Partner:
PILOT
 Precision Products

15 Merrigan Way | South Deerfield, MA 01373
 413-350-5200 | PilotPrecision.com
 ISO 9001:2015

