

Tooling solutions for Wind Energy Industry



PalbitUSA.com



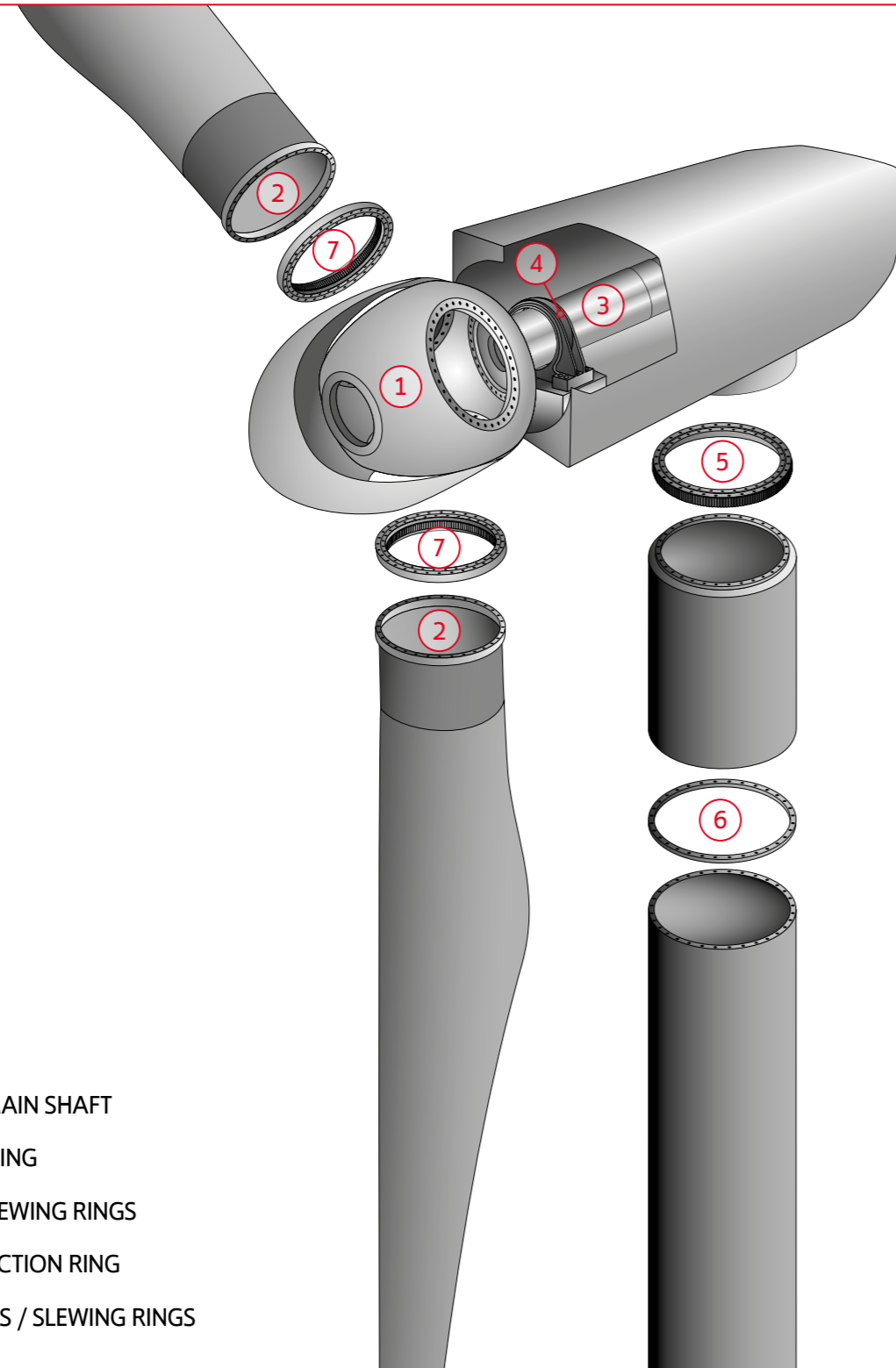
NEW
WIND ENERGY



SINCE 1916

High quality precision tools for the challenges of the wind energy industry. We provide optimized machining solutions for the specific requirements of our customers demands. Palbit aims to provide the best solutions to achieve your goals with innovation, flexibility, quality and productivity.

MAIN WORKPIECE PARTS:



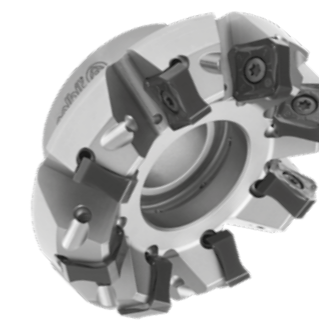
- 1 - ROTOR HUB
- 2 - ROTOR BLADE
- 3 - LOW SPEED / MAIN SHAFT
- 4 - BEARING HOUSING
- 5 - YAW GEAR / SLEWING RINGS
- 6 - TOWER CONNECTION RING
- 7 - PITCH BEARINGS / SLEWING RINGS

A wide set of products that can be used for almost every challenge. From face milling to profiling, we provide a complete range of excellent products.

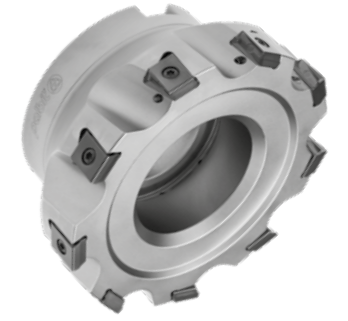
PLUS 90845



PLUS 91245



TGPLUS 90390



Double sided insert
Excellent surface finishing
Up to 16 edges per insert

Excellent insert rigidity and improved machining stability

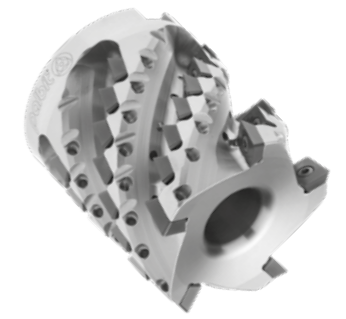
LINEPRO 20190



HARDMILL 72090 **N**



TAILOR-MADE CUTTERS



Square shoulder milling new generation with high rake angle and low cutting forces

PCD tipped inserts
Excellent for aluminium

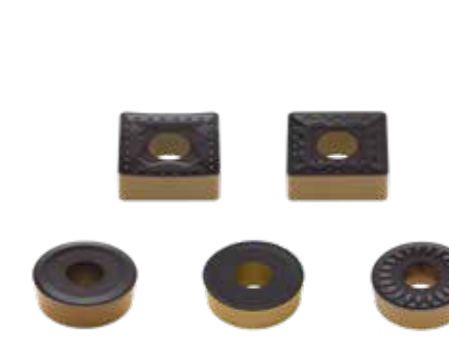
Special solution for most demanding operations

DRILLING



General drilling solutions for multiple purposes

HEAVING TURNING

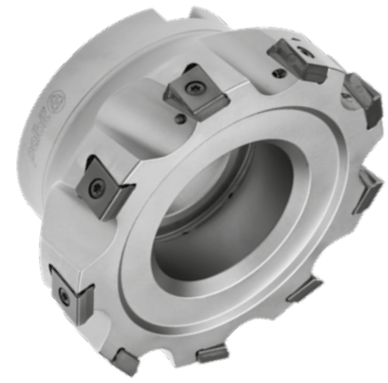


Tough and long-lasting inserts for the most demanding job

PCBN TURNING



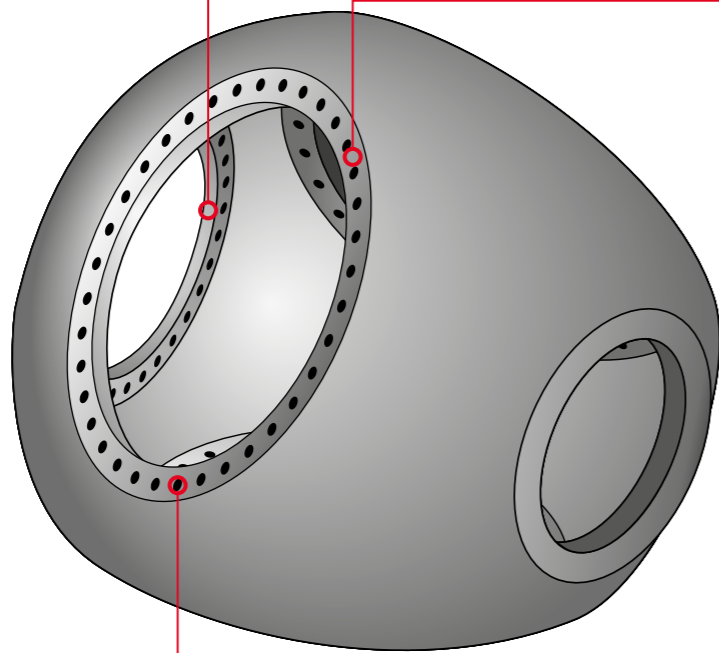
PCBN inserts excel in the finishing and semi-finishing processes of hardened steels and hard cast iron



TGPLUS 90390



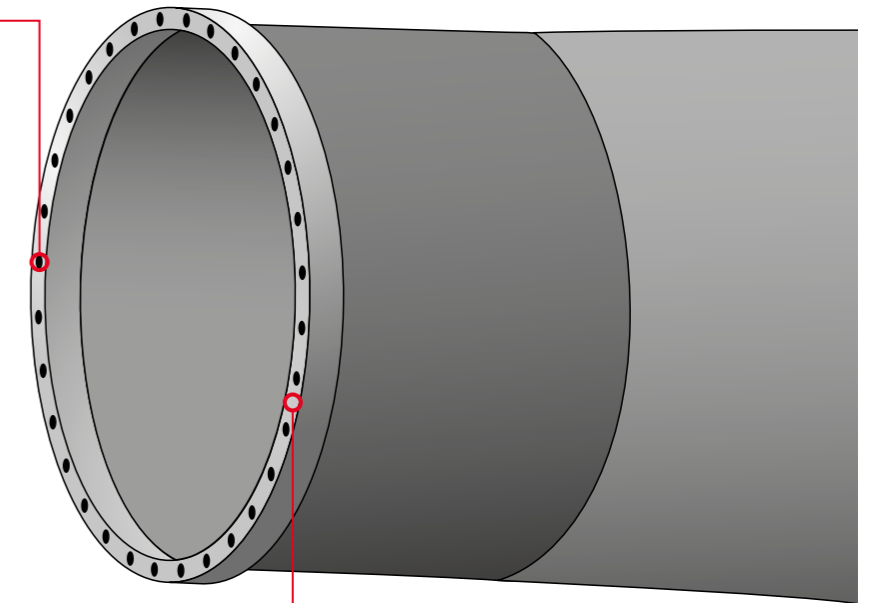
PLUS 91245



DRILLING



DRILLING

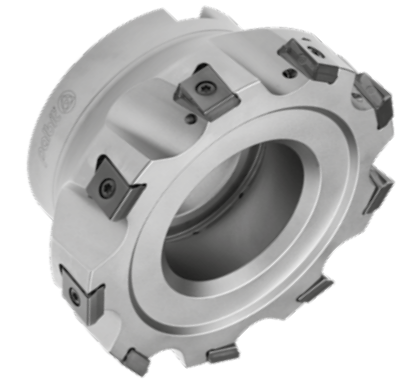


HARDMILL 72090

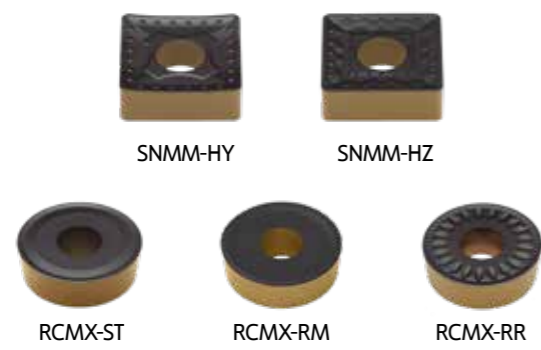
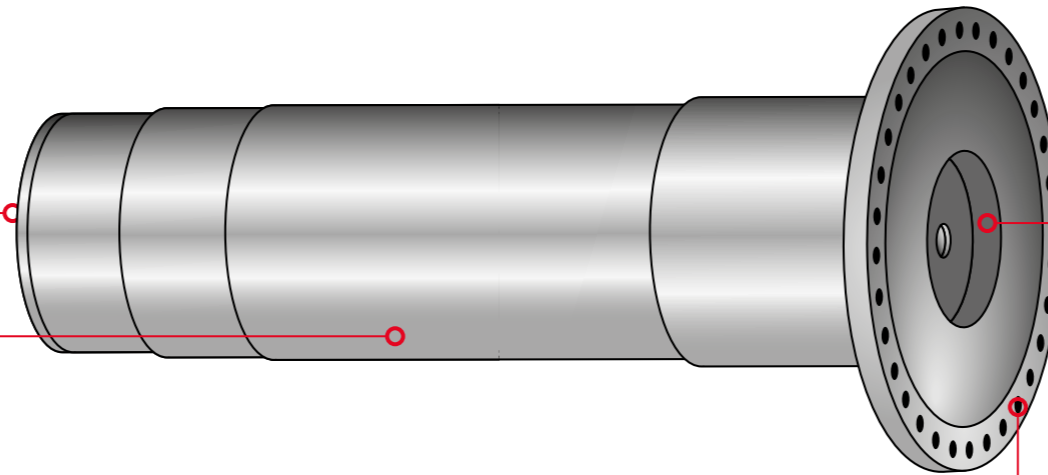




PLUS 90845



TGPLUS 90390



SNMM-HY

SNMM-HZ

RCMX-ST

RCMX-RM

RCMX-RR

HEAVY TURNING



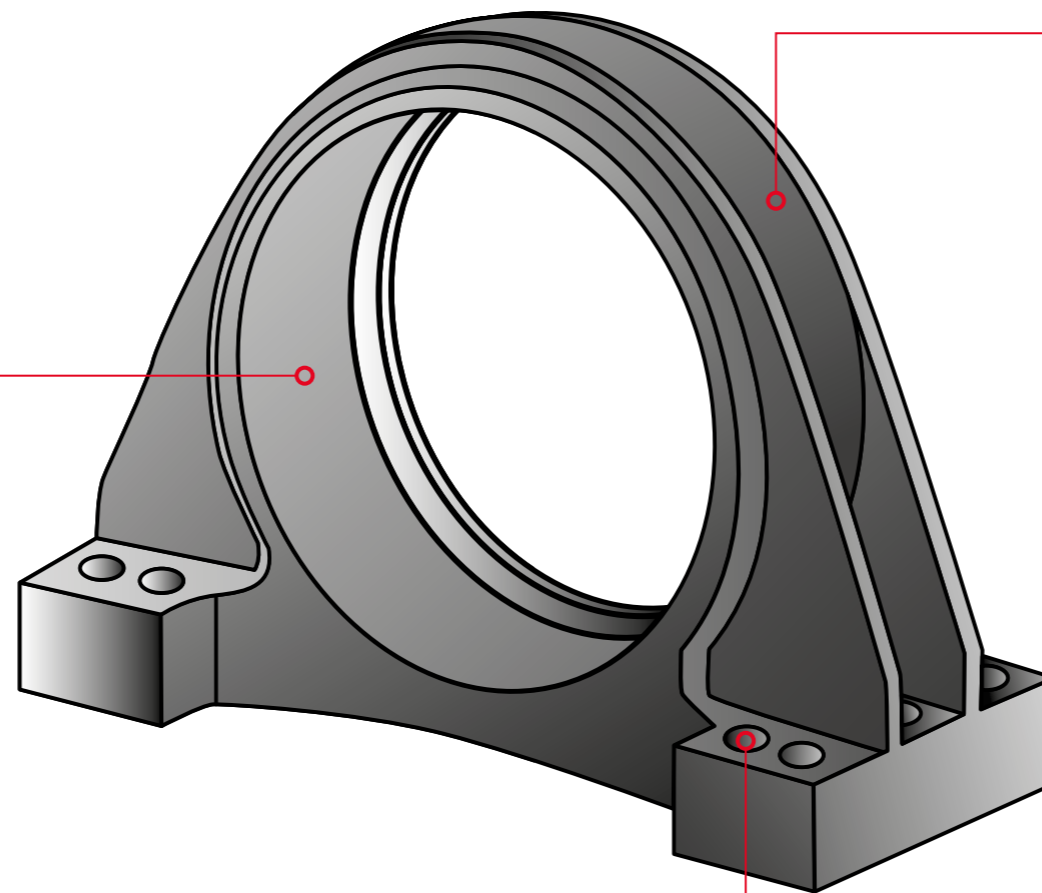
DRILLING



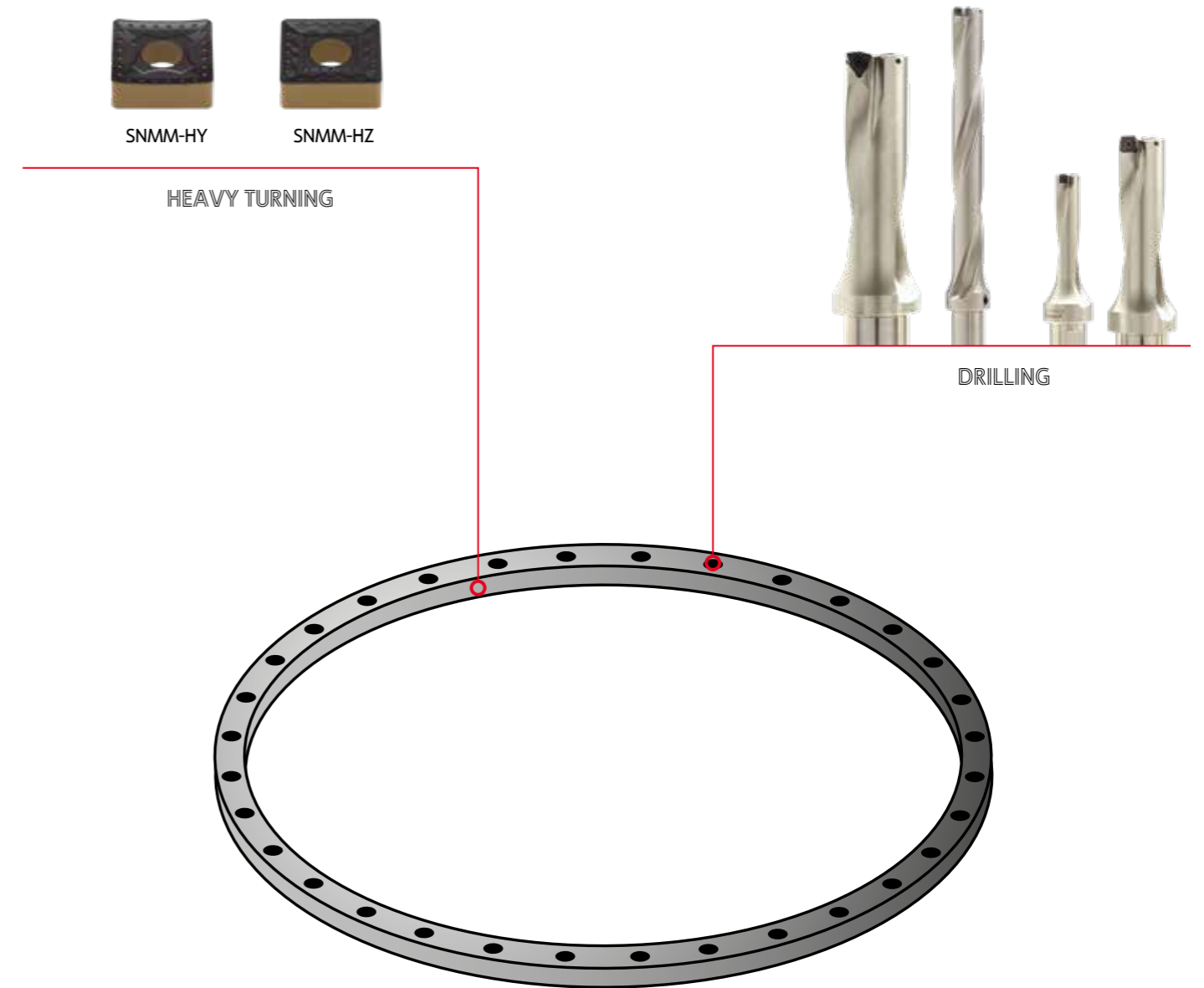
TAILOR-MADE CUTTERS



LINEPRO 20190



DRILLING





PalbitUSA.com



U.S. Partner:



15 Merrigan Way | South Deerfield, MA 01373

413-350-5200 | PilotPrecision.com

ISO 9001:2015



SINCE 1916